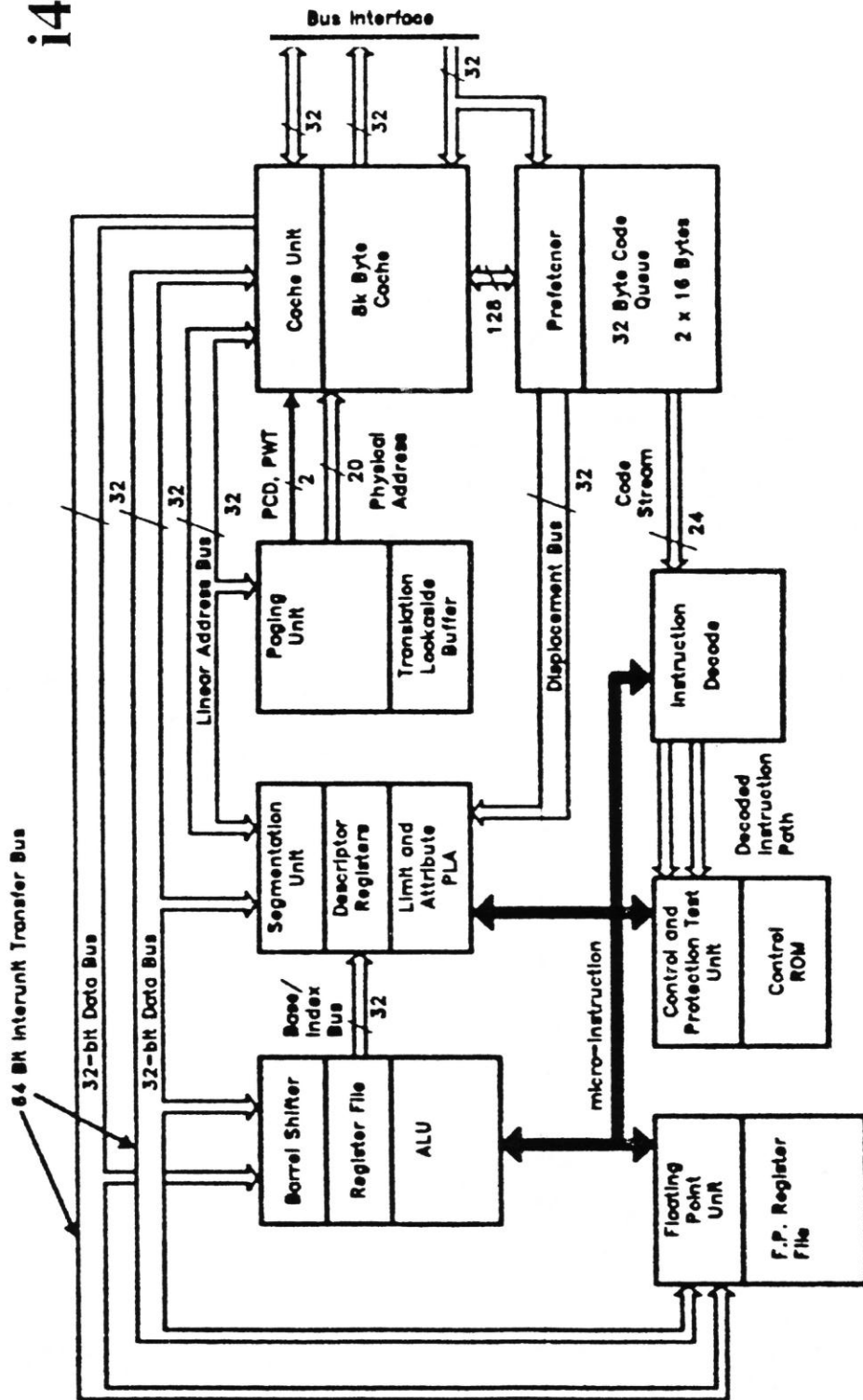


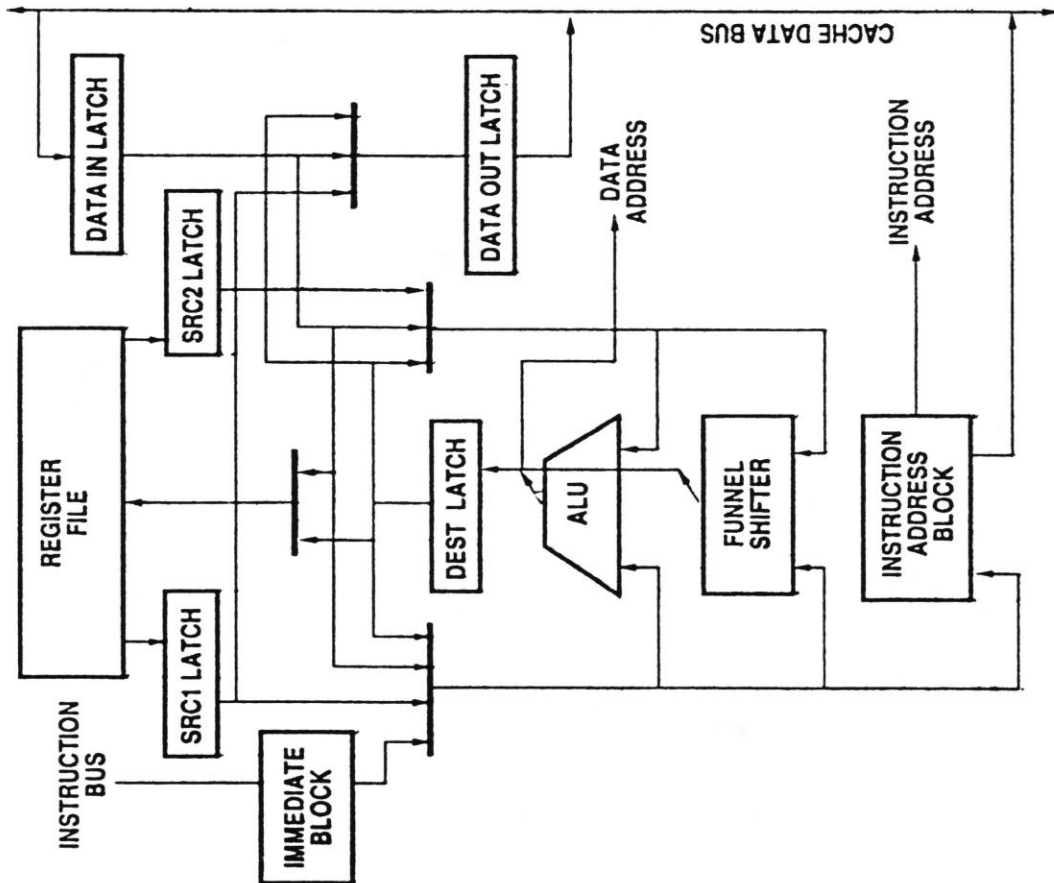
APPLICATIONS

i486

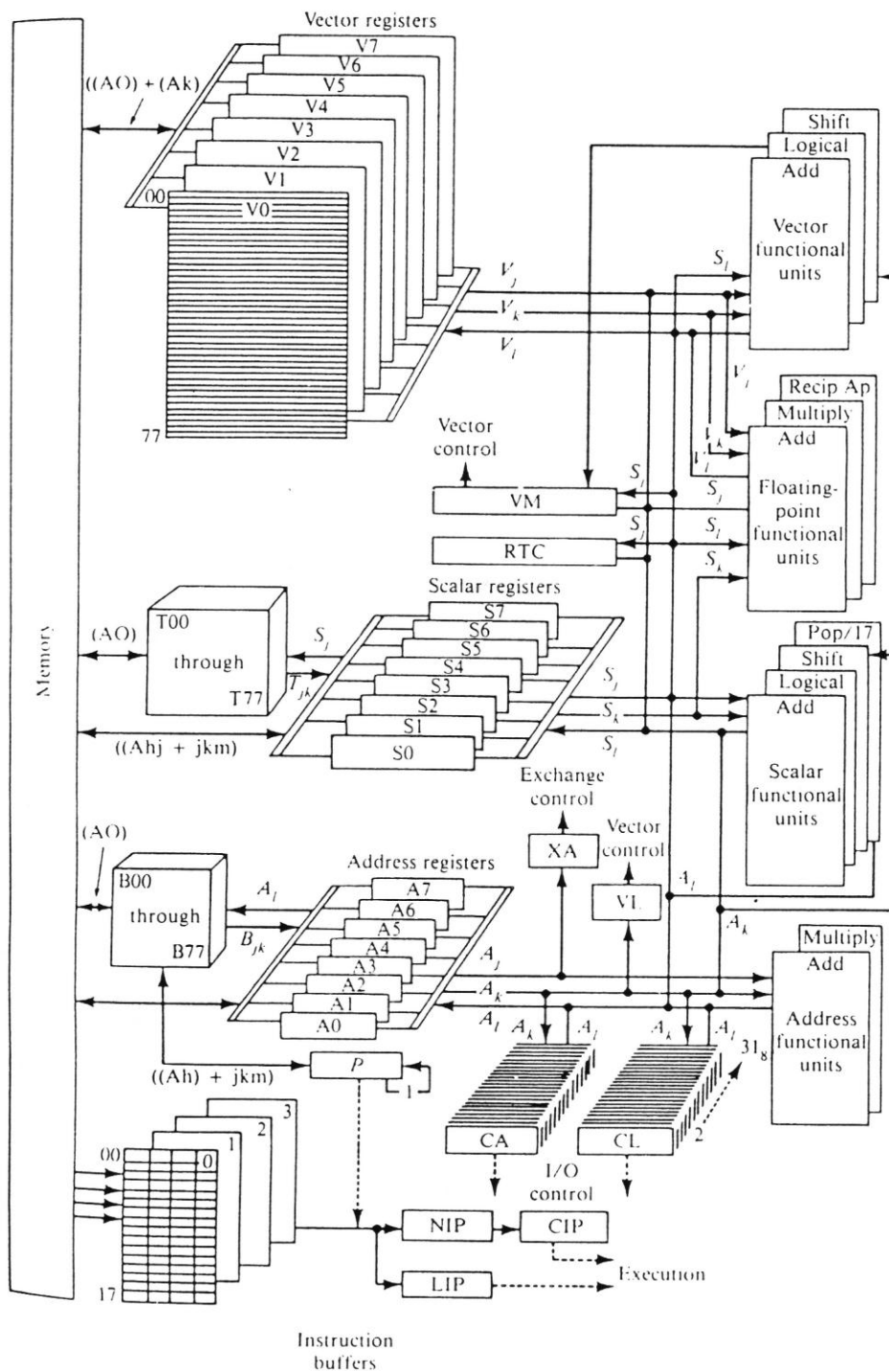


i486™ Microprocessor Pipelined 32-Bit Microarchitecture

i860



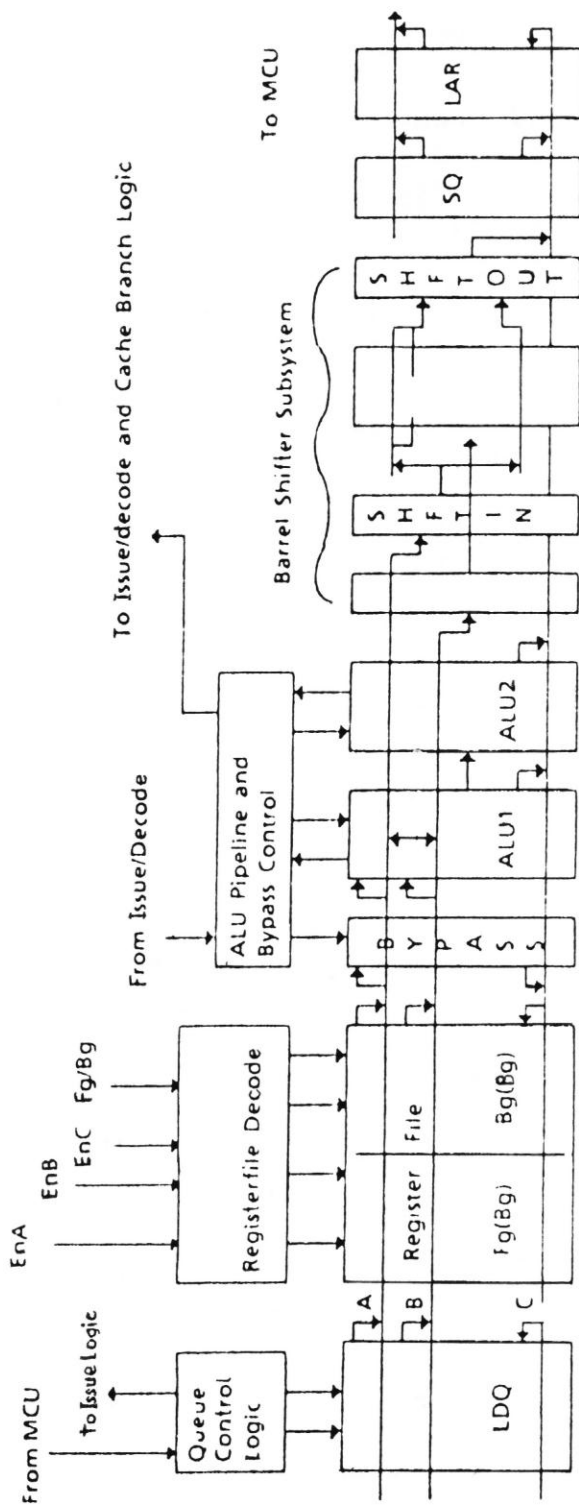
DATAPATH EXAMPLES

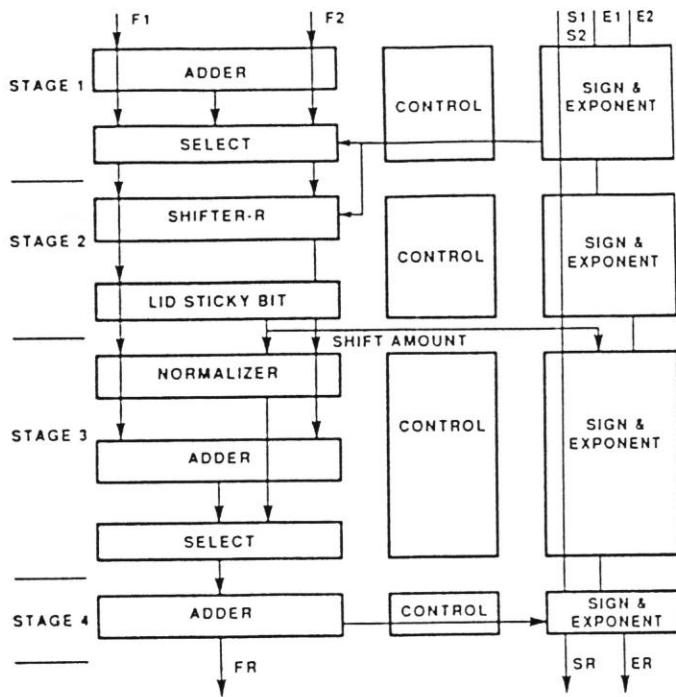


CRAY-1

Arithmetic logic pipelines, registers, buffers, memory, and data paths in the Cray-1

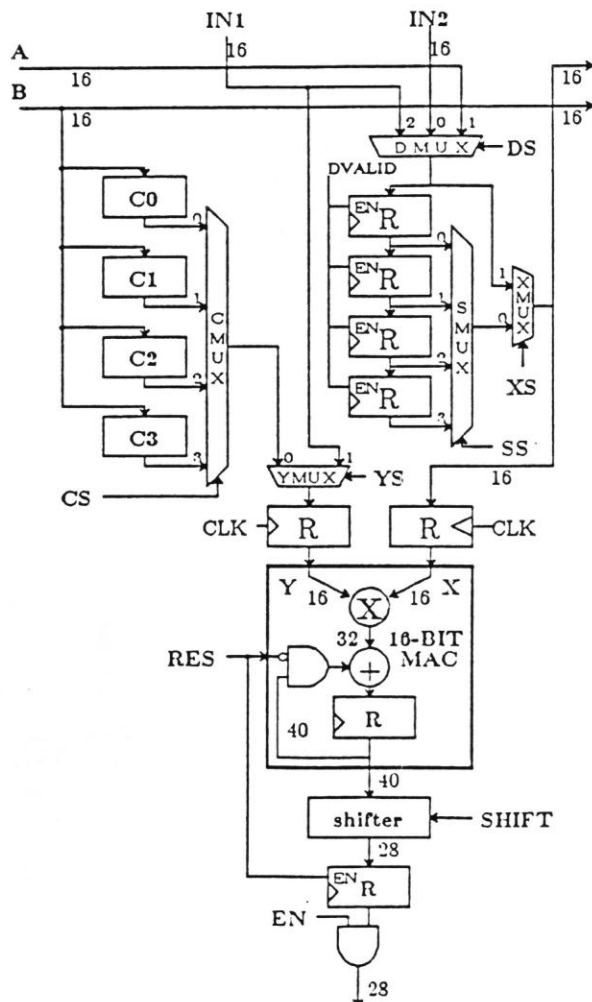
PIPE





Hardware for addition and subtraction

DEC Fchip FPU



LSI VFIR DSP

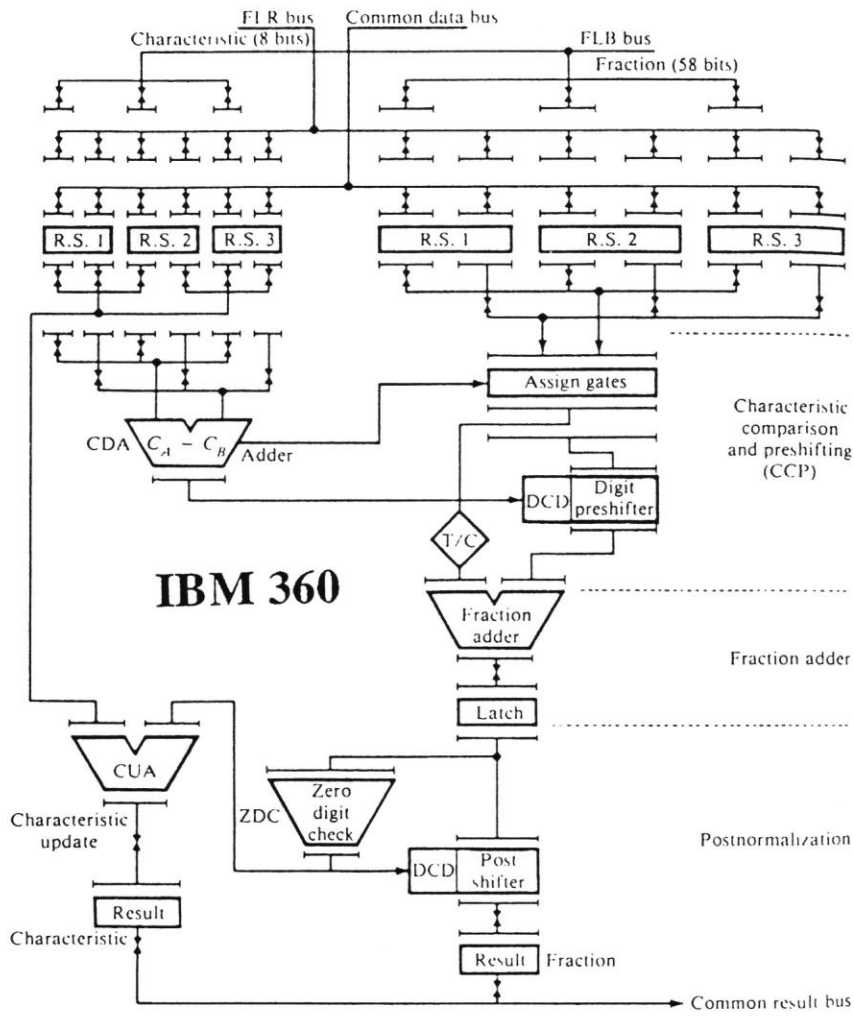
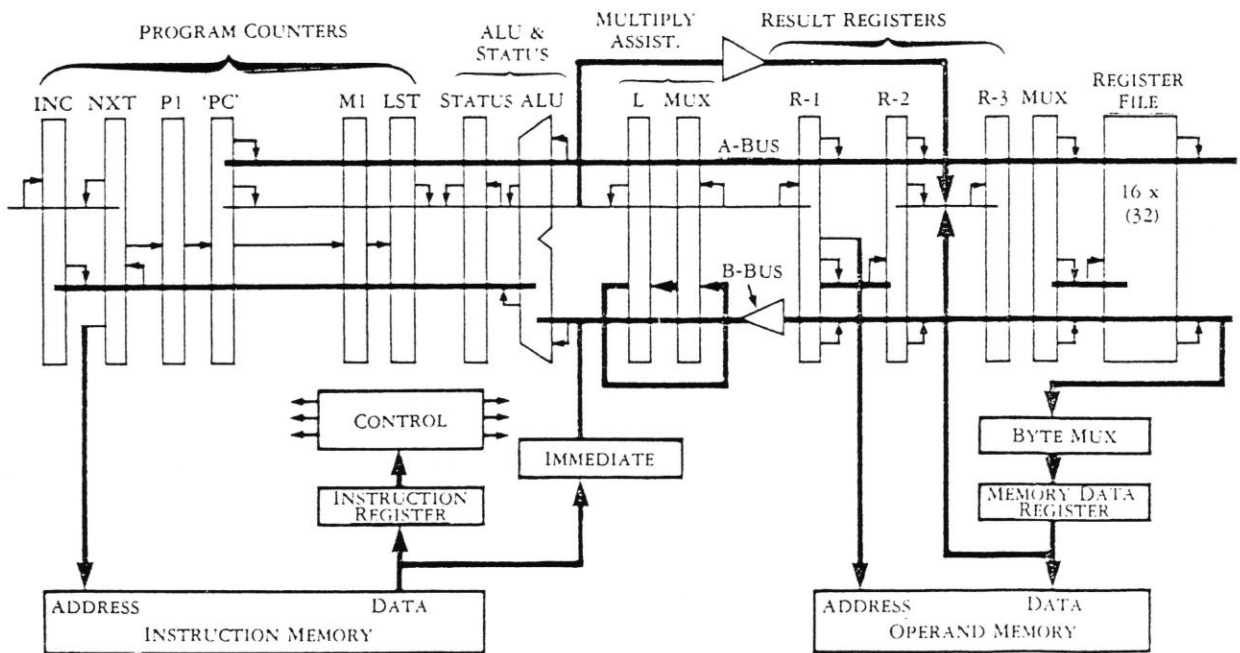
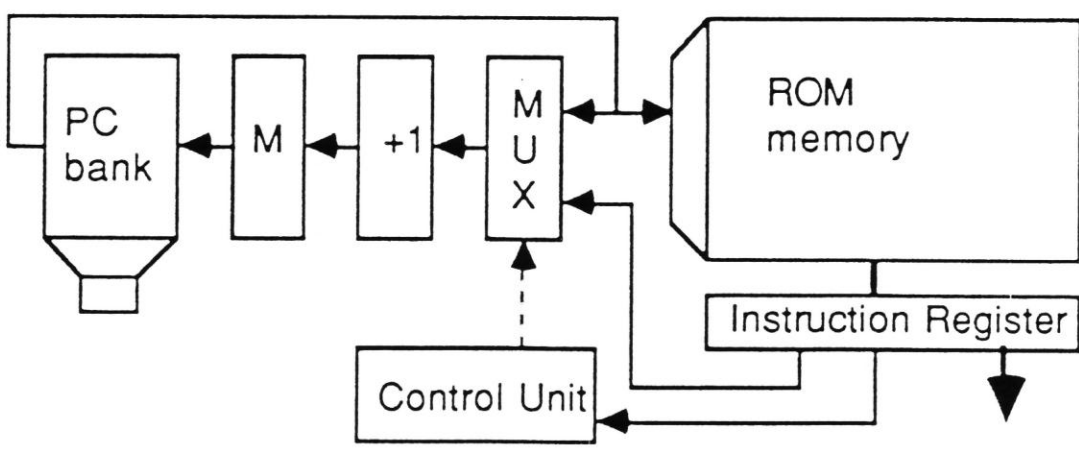
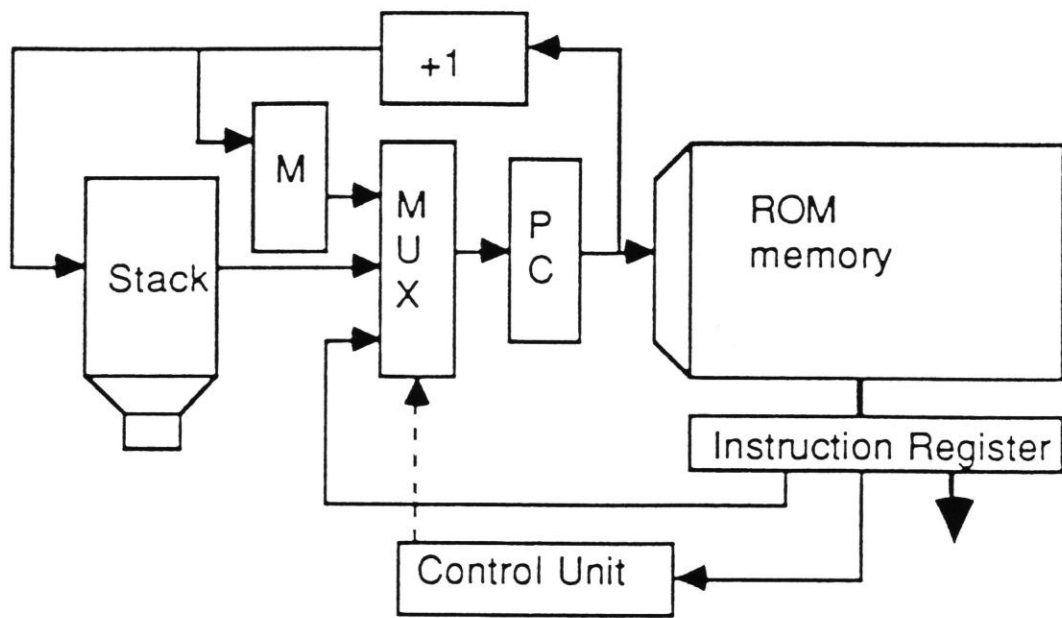


Figure Pipelined structure of the IBM 360/91 floating-point ADD unit.



TI / CDC I²L-GaAs 200MHz



PROGRAM COUNTER ARCHITECTURES