

SERLCD_v1

16 15 14 13 12 11 10 9 8 7 6 5 4 3 2 1
K A D7 D6 D5 D4 D3 D2 D1 D0 ENA R/W D/C CST +5V GND

2 1
1 2

R3
R1

1 2 C1

3 1 P1
Hole20
2

11 12 13 14 15 16 17 18 19 20
Q1 1 2 3 C2 2 1 IC1

10 9 8 7 6 5 4 3 2 1
CB3 CB1

2 1
3 T1

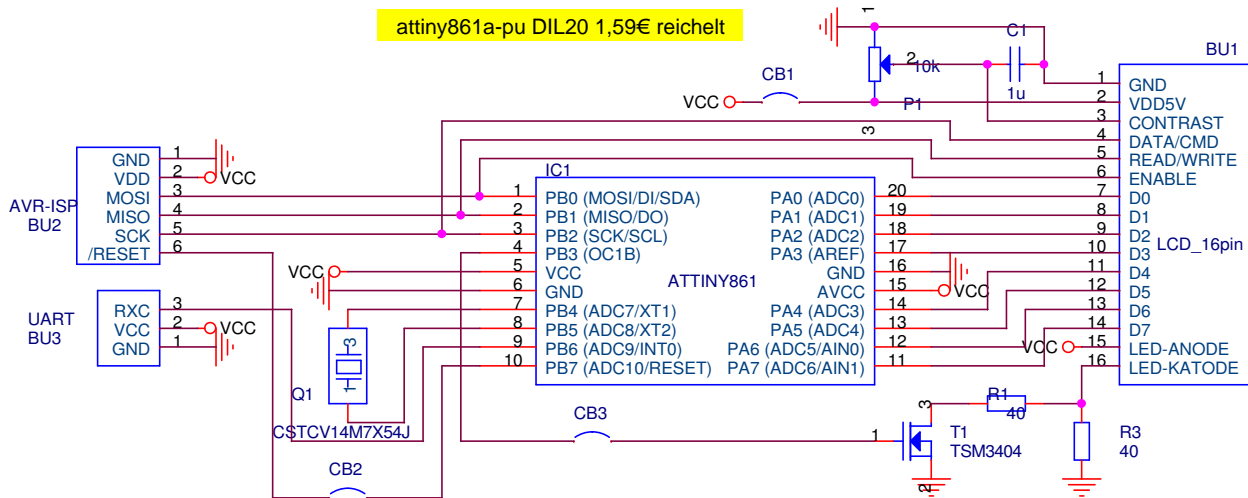
3 2 1 BU3
RXC +5V GND

6 5 4 3 2 1 BU2
/RST SCK MISO MOSI +5V GND

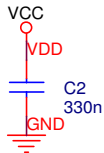
2 1
UART CB2

AVR-ISP

attiny861a-pu DIL20 1,59€ reichtelt



wahlweise R1/T1 oder R3 bestücken



CSTCC: 2.5 mm
 CSTCE: 1.25 mm
 CSTCV: 1.25 mm

Title		
Serial LCD Terminal		
Size	Document Number	Rev
A4	heinz@gfai.de	10
Date:	Monday, December 23, 2013	Sheet 1 of 1